

# NBF35 TILTABLE BARREL STACKER

## OPERATION INSTRUCTION



### WARNING

THE MANUFACTURER SHALL NOT BE HELD LIABLE IN CASE OF FAULTS OR ACCIDENTS DUE TO NEGLIGENCE, INCAPACITY, INSTALLATION BY UNQUALIFIED TECHNICIANS AND IMPROPER USE OF THE MACHINE

DO NOT OPERATE THIS MACHINE UNTIL YOU READ AND UNDERSTAND ALL THE DANGERS, WARNINGS AND CAUTIONS IN THIS MANUAL

# NBF35 TILTABLE BARREL STACKER OPERATION INSTRUCTION

## I INTRODUCTION

This manual contains all the instructions for the use of the machine and the necessary knowledge for its correct use.

This machine has been designed for lifting, rotating or stacking barrel on plane and level floors. Special holding device designed for safe and reliable. Easy moving and operating. It's the most convenient way to handle barrels.

## II TECHNICAL DATA

Technical specifications and major dimensions are shown in table 1 and FIGURE 1, respectively.

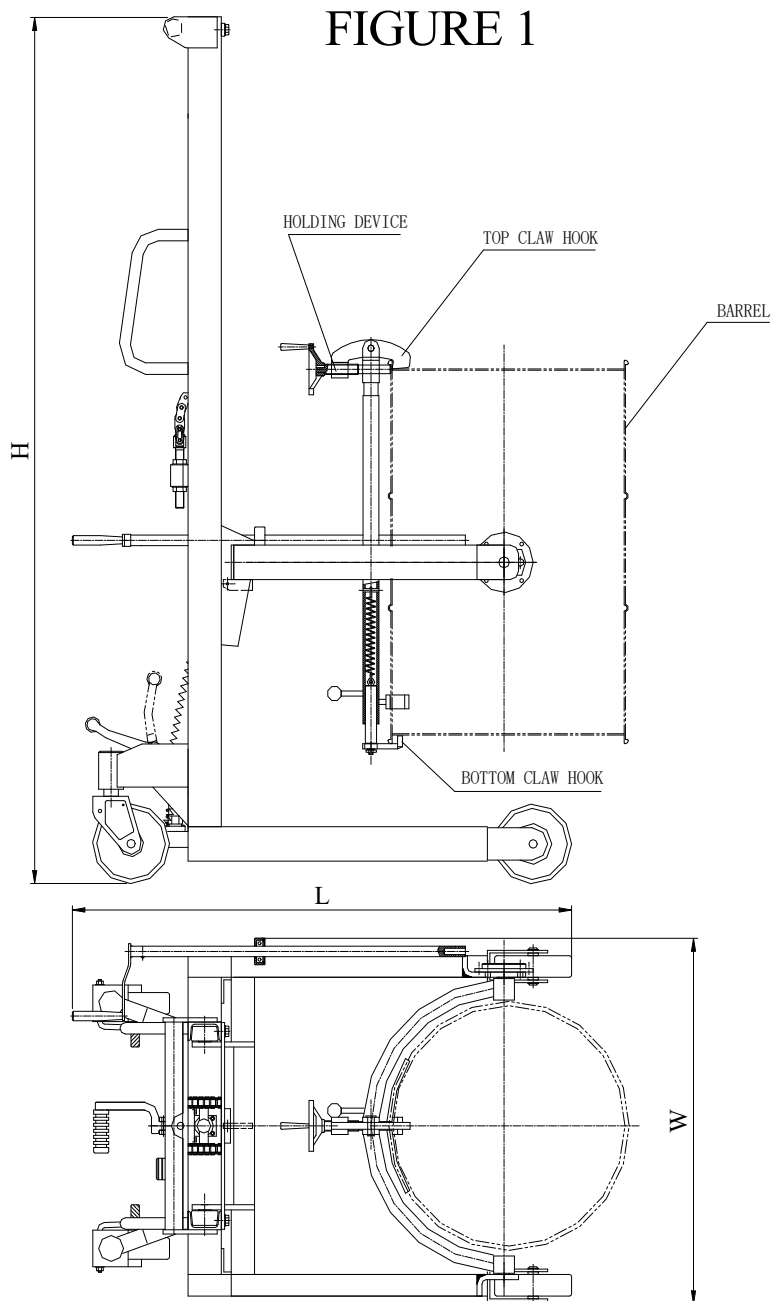


Table 1

Load capacity	350Kg
Lifting height	1425mm
Dimension(L×W×H)	1190mm×890mm×2000mm
Net weight	155Kg

### III CONSTRUCTION PRINCIPLE

The SYC (T) 3.5 tiltable barrel stacker is composed of hydraulic system ,main body,barrel holding device and tilter.

The framework is welded of high quality swage.

This barrel stacker lifts barrel with manual hydraulic jack and hauls loads by hand.The hydraulic gear is equipped with return valve and foot pedal to control barrel carriage lowering rate and ensure the hydraulic action accurate and reliable.

### IV USE OF THE MACHINE

Raise the barrel holding device to the required height.

Approach the barrel to be loaded and unscrew the holding device.

Lower the holding device by step on the foot pedal until the top claw hook caught the upper lip of the barrel,then screwed the holding device.

Lift the barrel to a certain height,press down the bottom claw hook clasped the lower lip of the barrel.

Pull or push the barrel stacker manually to haul the barrel to required place.When you need rotating the barrel brake the rear wheels to avoid moving stacker.Keep on lifting to required height.turn the handle so that rotating the barrel.

### V MATTERS NEEDING ATTENTION

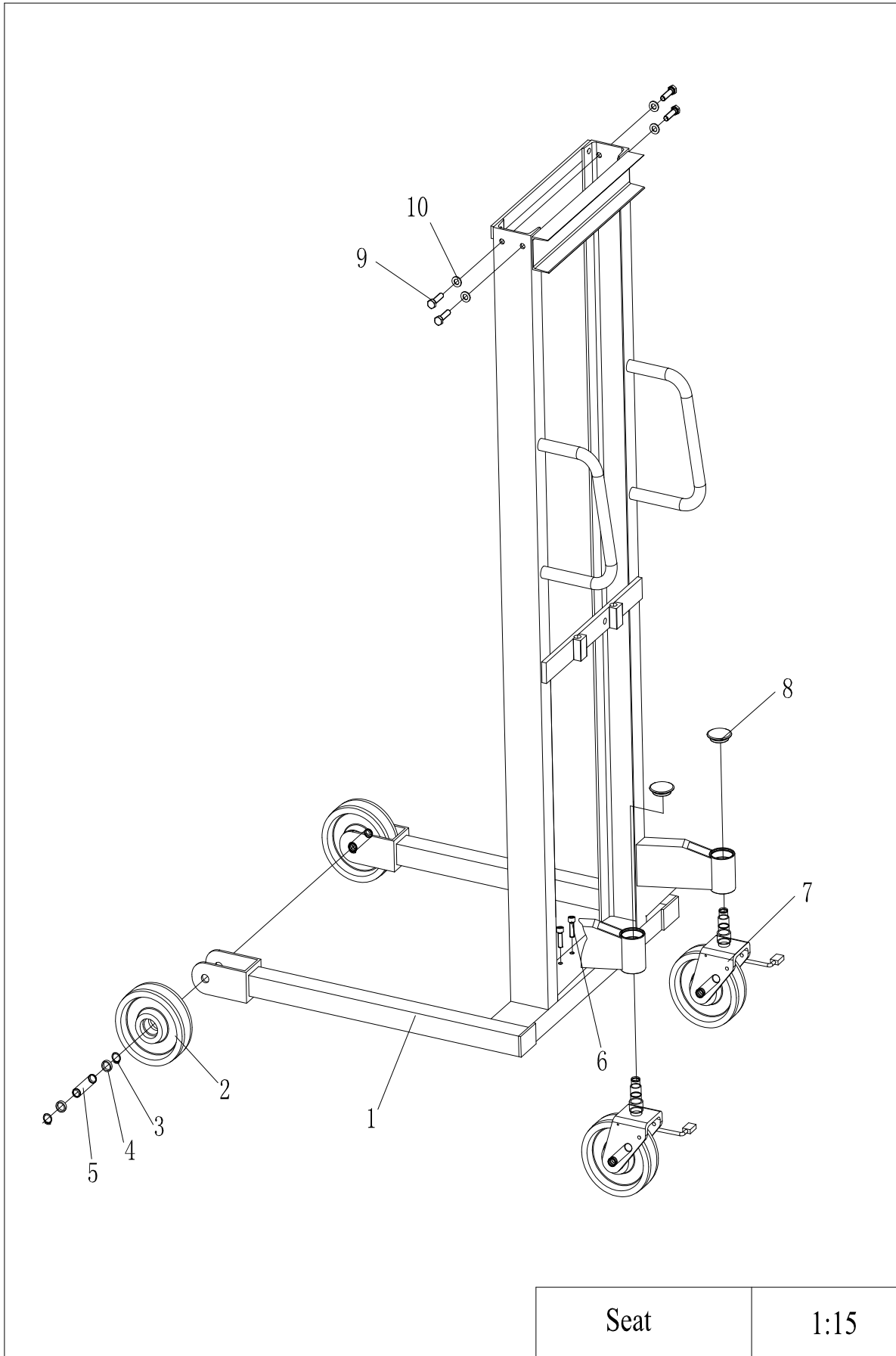
1. Please use the brakes of the rear wheels when the barrel is rotating.
2. Make sure that the bottom claw hook clasped the lower lip of the barrel when the barrel is rotating.

### VI MAINTENANCE

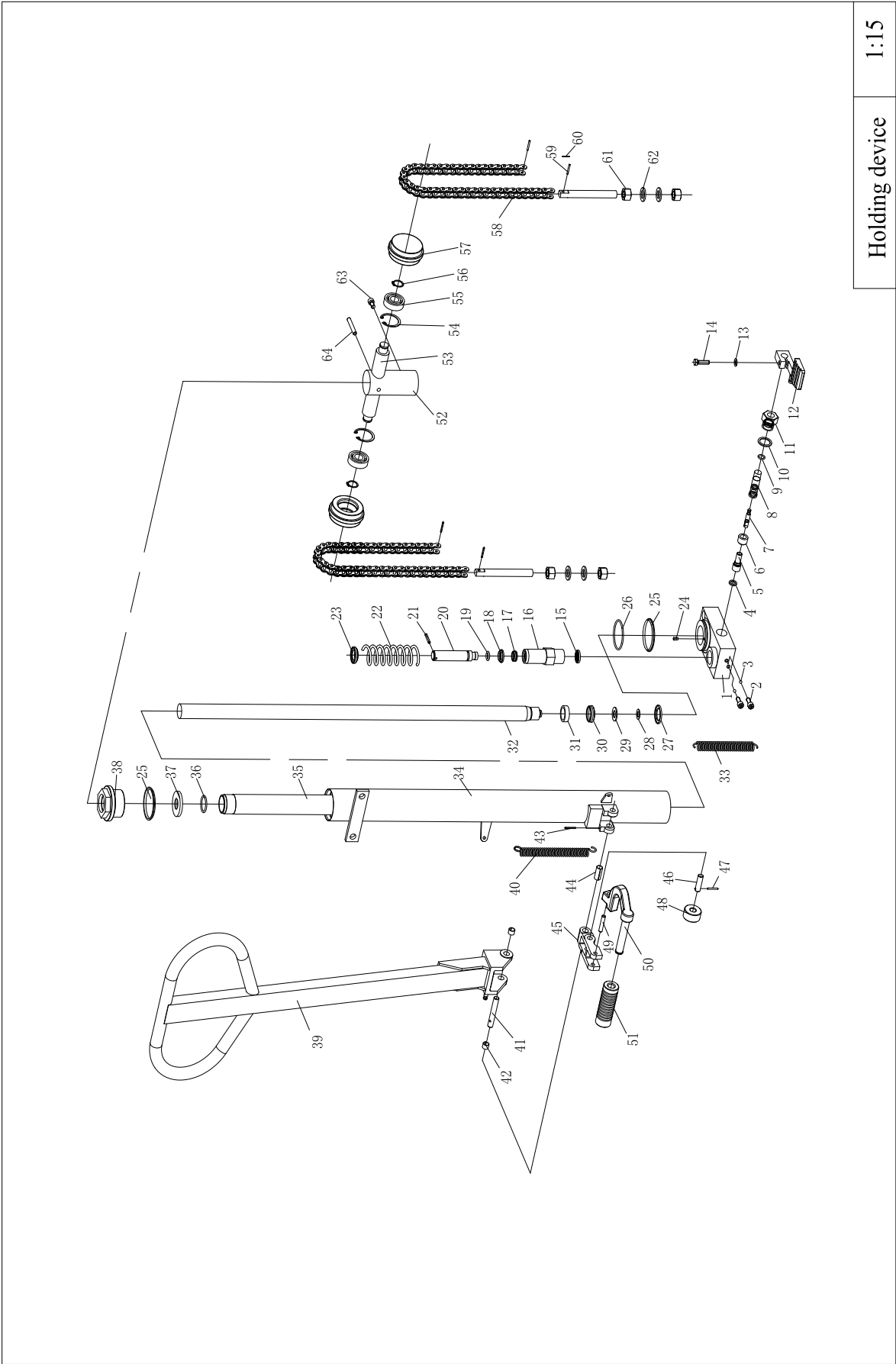
1. The ambient temperature for this barrel stacker is 25~45°C.
2. Oil should be filtered clean and maintained adequate.
3. Before operating the barrel stacker ,check whether every structure is normal and every joint part is tightened.

## VII COMMON FAULTS AND SOLUTIONS

Faults	Source of faults	Solutions
The height of lifting doesn't reach the designing requirement	Shortage of hydraulic oil	Add hydraulic oil
Lifting oil tank can't lift	1.The working oil is too viscous or no working oil is filled	Add enough hydraulic oil or replace working oil in accordance with stipulated oil level
	2.There is impurity in working oil,which prevents the feed valve from closing tightly	Remove impurity or replace working oil
	3.Foot pedal or extension spring is detension so that release valve is unclosed at the highest position or jammed by foreign matters	Check extension spring,regulate foot pedal at the highest closing position,remove impurity
	4.Foot pedal or release valve has not been adjusted in proper position	Release extension spring and pedal-connecting clip bolt,adjust repeatedly until it is in proper position,then tighten clip bolt and replace extension spring
Carriage lifted cannot be lowered	1.Oil release pedal has not be regulated	Regulate repair or replace piston rod or bearings as per the above mentioned method
	2.A too great offset load and permanent deform action occur to piston	
	3.Carriage frame and roller or sprocket are jammed	
Oil seepage or leak	1.Packing gasket spoiled or ineffective	Examine and repair,replace the seal piece and screw the joint of pipe tight
	2.Slight fissures or pores occuring to few parts	
	3.Screwed joint loosened or packing gasket not tightened	





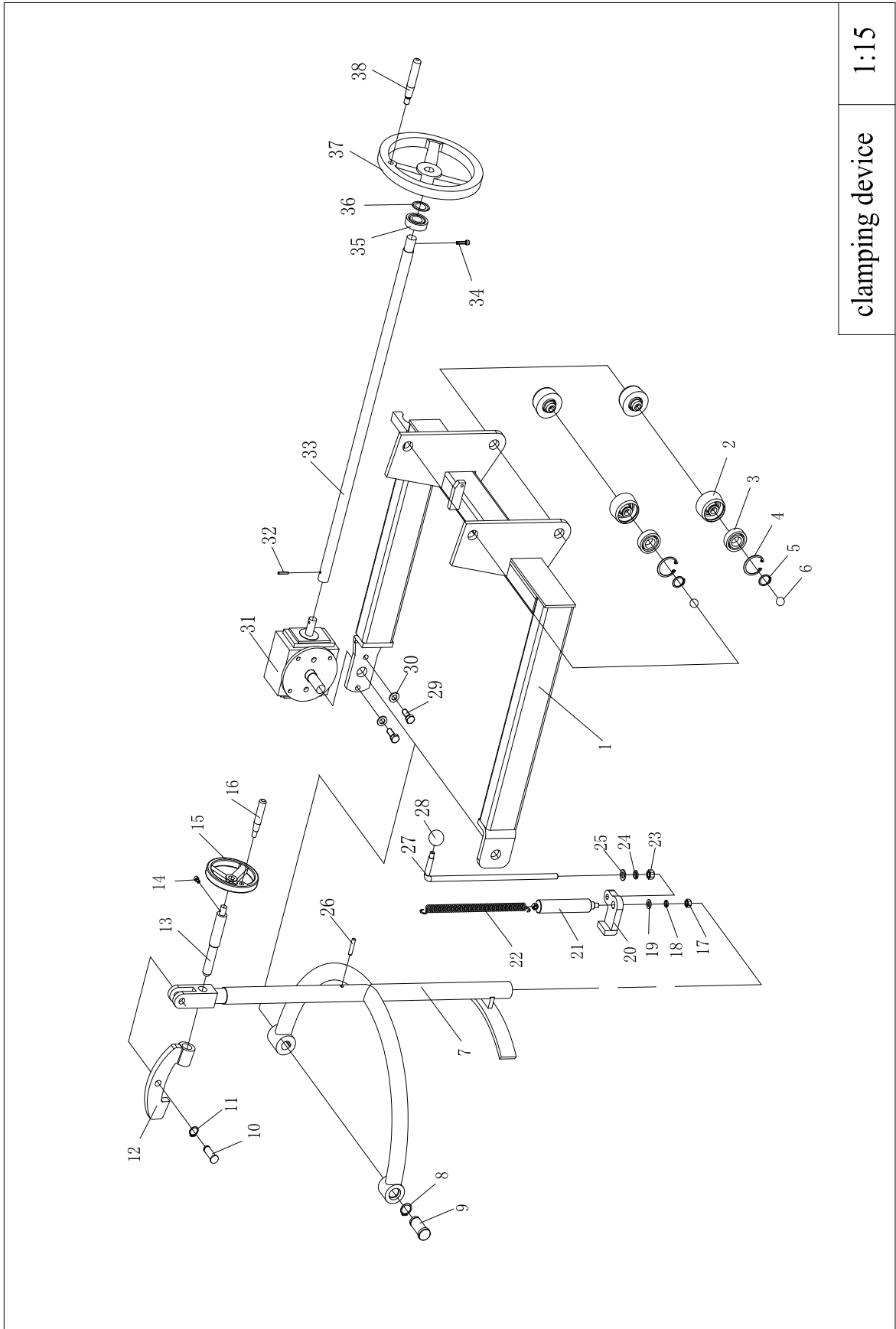


## Spareparts For Holding Device

No.	Part Number	Description	Quantity	Remark
1	TQSYG-1014	chassis	1	
2	GB309-77	steel ball	6	φ 6
3	GB79-85	screw	4	M8×16
4	TQSYG-1032	seal washer	1	
5	TQSYG-1030	valve	1	
6	TQSYG-1029	sucker	1	
7	TQSYG-1031	valve core	1	
8	TQSYG-1035	valve bar	1	
9	GB3452.1-62	o-ring	1	
10	TQSYG-1033	washer	1	
11	TQSYG-1034	bolt	1	
12	TQSYG-1017	foot pedal	1	
13	GB93-86	washer	1	8
14	GB5783-86	bolt	1	M8×30
15	TQSYG-1016	pump washer	1	
16	TQSYG-502	pump	1	
17	TQSYG-501	dust seal	1	
18	TQSYG-503	yx-packing ring	1	D22
19	GB3452.1-62	o-ring	1	11.5*3
20	TQSYG-504	plunger	1	
21	GB879-86	pin	1	5×30
22	TQSYG-1007	spring	1	
23	TQSYG-505	spring cap	1	
24	TQSYG-1010	dust filter	1	
25	TQSYG-1027	gasket ring	2	
26	GB3452.1-62	o-ring	1	60×3.55
27	TQSYG-1015	seal washer	1	
28	GB896-76	circlip	1	12
29	TQSYG-1011	washer	1	
30	TQSYG-1013	yx-packing ring	1	D35
31	TQSYG-1012	seal washer	1	
32	TQSYG-1002	piston rod	1	
33	TQSYG-1036	extension spring	1	
34	TQSYG-1100	oil tank	1	
35	TQSYG-1004	jack cylinder	1	
36	GB3452.1-62	o-ring	1	31.5×3.55
37	TQSYG-1028	dust seal	1	
38	TQSYG-1001	cover	1	
39	TSBZB-300	handlebar-welded-assembly	1	
40	TQSYG-1005	extension spring	1	
41	TQSYG-1006	axle	1	
42	TFHZC-003	oilless bearing	1	
43	GB879-86	pin	1	3×35
44	TFHZC-004	oilless bearing	1	







clamping device 1:15

## Spreparts For Clamping Device

No.	Part Number	Description	Quantity	Remark
1	YTC3-1300	clamping device	1	
2	SYC5-0003	roller shell	4	
3	GB276-64	ball bearing	4	
4	GB893.1-86	circlip	4	D62
5	GB893.1-86	circlip	4	D30
6	GB309-77	steel ball	4	φ 19
7	YTC3-1200	holding device	1	
8	GB894.2-86	circlip	1	D25
9	YTC3-1222	axle	1	
10	YTC3-1205	axle	1	25
11	GB894.2-86	circlip	1	
12	YTC3-1204	eddy washer	1	
13	YTC3-1203	bolt	1	15
14	GB79-85	bolt	1	
15	YTC3-1206-2	hand wheel	1	
16	YTC3-1206-1	handlebar	1	M6*10
17	GB6175-86	nut	1	
18	GB93-87	washer	1	
19	GB97.1-85	washer	1	M10
20	YTC3-1216	washer	1	10
21	YTC3-1215	teleopic shaft	1	10
22	YTC3-1209	spring	1	
23	GB6175-86	nut	1	
24	GB93-87	washer	1	
25	GB97.1-85	washer	1	M12
26	GB879-86	axle	1	12
27	YTC3-1213	handlebar	1	12
28	YTC3-1214	handle ball	1	8*40
29	GB5783-86	bolt	2	
30	GB97.1-85	washer	2	
31	YTC3-1301	gear box	1	M10
32	GB879-86	axle	1	10
33	YTC3-1311	axle	1	
34	GB70-85	bolt	1	5*30
35	GB279-88	ball bearing	1	
36	GB893.1-86	circlip	1	M8*15
37	YTC3-1312	hand wheel	1	
38	YTC3-1313	handlebar	1	52